



Invisi-Shield™ for Wire Shelves

Secure your stock without slowing the sale



Theft Deterrent Protection

Sliding panels help prevent “shelf sweeping” theft while maintaining shopper accessibility.



Clear, Unobstructed Visibility

Crystal-clear panels keep products fully visible for an open, inviting presentation.



Easy Customer Access

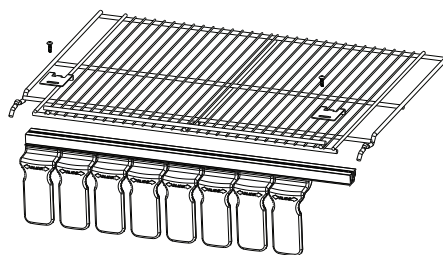
Smooth-sliding design allows legitimate shoppers to reach products effortlessly.



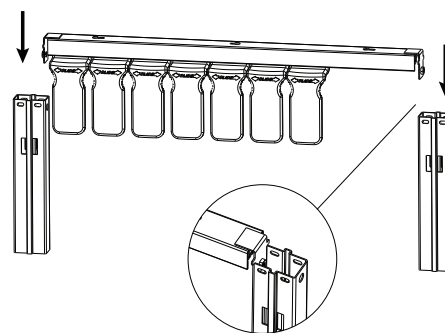
Audible Security Feedback

Ratcheting sound when panels move adds an extra layer of theft deterrence.

Invisi-Shield™ for Wire Shelf



Invisi-Shield™ for Top Shelf



Simple Installation

Mounts easily to standard retail shelving with included hardware kit.

Item No.	Description	Dimensions	Pack Qty
4606368061	Wire Shelf Invisi-Shield w 3" x 5.5" Panels	1" x 28", 3" x 5.5"	1
4606368062	Wire Shelf Invisi-Shield w 4" x 8" Panels	1" x 28", 4" x 8"	1
4606368063	Top Shelf Invisi-Shield w 3" x 5.5" Panels	1" x 28", 3" x 5.5"	1
4606368064	Top Shelf Invisi-Shield w 4" x 8" Panels	1" x 28", 4" x 8"	1

2025.11.13

For more information,
call **800.422.2547**
or visit www.siffron.com

siffron.
always on