



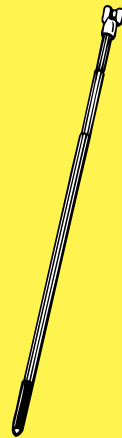
Total Retail Solutions

Installation Pole

FFR-DSI's Installation Pole is an ideal solution for hanging ceiling banners quickly and safely. Compatible with many FFR-DSI ceiling clips and hooks, banners can be raised from the floor to the ceiling quickly, saving time and labor costs. And, eliminating the use of ladders improves in-store employee safety.



A



A Aluminum



A



B Corrugated

Features and Benefits


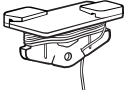


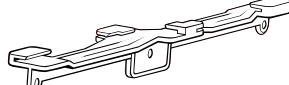
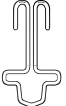
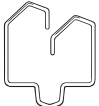
- Simple, effective solution makes it easy to quickly hang banners on ceiling grid or warehouse-type beams.
- Compatible with many FFR-DSI ceiling clips and hooks (below).
- Pole available in two materials – Aluminum or Corrugated.
- Telescopic aluminum pole available in two sizes to extend to either 10' or 18' lengths to reach most store ceiling heights.
- Corrugated pole is 8' long; simple 3-piece assembly.

Specifications

Installation Pole

- A** Aluminum
 - 10' L extension - No. 6302171000
 - 18' L extension - No. 6301897101
- B** Corrugated
 - 8' L - No. 6301897100

Ceiling clips and hooks compatible with FFR-DSI Installation Poles:

- | | | |
|---|---|---|
|  |  |  |
| 1. Eagle™
Ceiling Clip | 2. Sure-Twist®
Ceiling Clip | 3. Sure-Twist®
Ceiling Loop |
|  |  | |
| 4. Sure-Twist®
Ceiling Hook | 5. Sure-Twist® Banner Bar | |
|  |  | |
| 6. Warehouse Ceiling
Hook for Split Beam | 7. Warehouse Ceiling
Hook for Solid Beam | |