



Total Retail Solutions®

Mercury™ Designer Series Banner Hanger

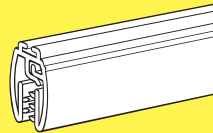
The Mercury™ Designer Series Banner Hanger from FFR-DSI features an upscale, elliptical profile to give hanging banners a sophisticated look. Featuring FFR-DSI's SuperGrip® technology for a superior hold, the Banner Hanger is also available in easy-to-order kits.



A

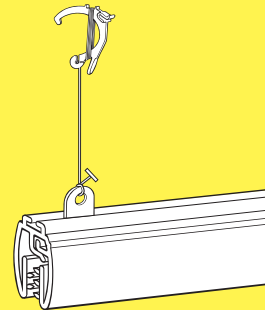
A

Mercury™ Designer Series Banner Hanger with Track



B

Mercury™ Designer Series Banner Kit



B

Features and Benefits

- Elegant elliptical profile adds a sophisticated appearance to signage.
- Integrated top track is compatible with a variety of hanging accessories.
- Ready-made Banner Kit is also available to simplify component selection.
- SuperGrip® technology features reverse-angle grippers that “clamp” onto signage for a secure fit.
- Accepts paper, vinyl, fabric and most plastic banners up to .060" thick.
- Available in clear, black or white for a customized look.

Specifications

A Mercury™ Designer Series Banner Hanger with Track

- Available colors
 - Clear, black or white
- Available lengths
 - 22", 24", 36", 48" L
- Compatible with a variety of hanging clips
- Material
 - PVC

B Mercury™ Designer Series Banner Kit

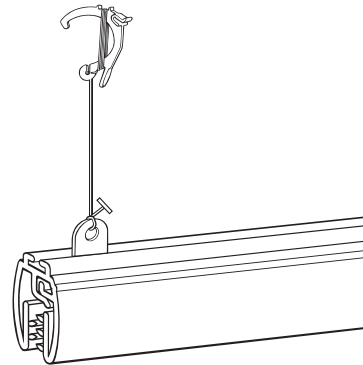
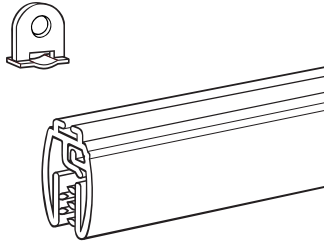
- Kit includes: two Mercury™ Designer Series banner hangers with track, two clear HC Banner Hanger Clips, and two white CGH Universal Plastic Ceiling Hooks with 8' L white barbed cord
- Available colors
 - Clear
- Available lengths
 - 22", 36", 48" L
- Material
 - PVC

→ See back of sheet for more information.



Total Retail Solutions®

Mercury™ Designer Series Banner Hanger



Mercury™ Designer Series Banner Hanger with Track

Item No.	Size	Color
6116252501	22" L	Clear
6116252502	22" L	Black
6116252505	24" L	Clear
6116252506	24" L	Black
6116252509	36" L	Clear
6116252510	36" L	Black
6116252511	36" L	White
6116252513	48" L	Clear
6116252514	48" L	Black
6116252515	48" L	White
Banner Hanger Clip		Color
6103838804		Clear
6103838803		Black
6103838802		White

Additional lengths and colors can be made to order.

Mercury™ Designer Series Banner Kit

Item No.	Size	Color
6116324411	22" L	Clear
6116324412	36" L	Clear
6116324413	48" L	Clear

See our complete line of Ceiling Display Systems, as well as thousands of other retail solutions, in the FFR-DSI YELLOW PAGES® Catalog.